

AELTHERM SP 

Plate Heat Exchangers for Heating all sizes of Swimming Pools

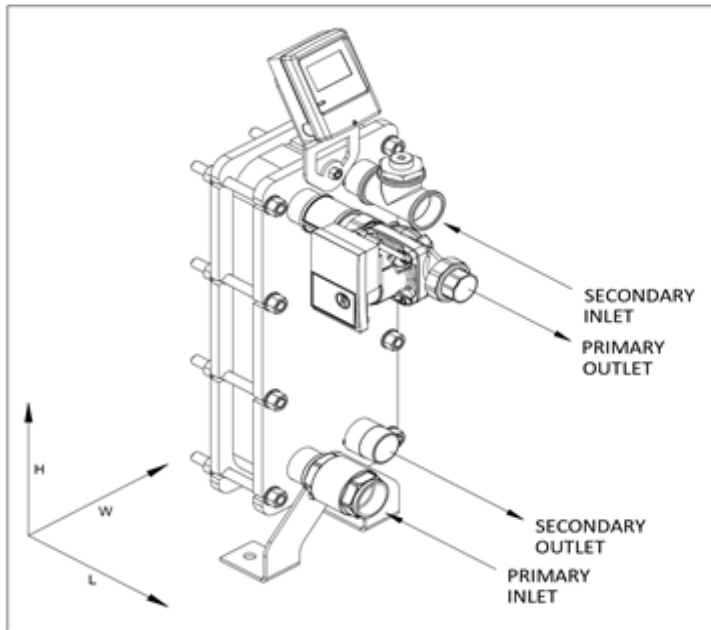


AELTHERM – SP INSTANTANEOUS PLATE HEAT EXCHANGERS ARE SUITABLE FOR ALL SIZES OF INDOOR & OUTDOOR SWIMMING POOLS USING EITHER CHLORINATED OR SALT WATER.

TECHNICAL INFORMATION FOR (SP) STANDARD UNITS BASED ON A 72 HOUR HEAT UP PERIOD FROM COLD

(CONTACT OUR TECHNICAL DEPARTMENT AT AEL FOR NON STANDARD SWIMMING POOL HEAT EXCHANGERS)

Model	(kW)	Primary 80 - 50 °C		Secondary 10 - 28.5 °C		H (mm)	L (mm)	W (mm)	Connections		POOL VOLUME	UNIT KG
		Flow rate (l/s)	AEL Pump takes care of the PD** (kpa)	Pressure drops (kpa)	Flow rate (l/s)				Primary side In/out	Secondary side In/out		
AELSP 035510	23	0.18	68	8.5	0.29	740	340	255	G1"(G1¼") - G1¼"	G1¼" - G1¼"	75,000 L	31
AELSP 050510	30	0.24	53	9.5	0.40	740	340	255	G1"(G1¼") - G1¼"	G1¼" - G1¼"	100,000 L	31
AELSP 075510	45	0.36	33	9,5	0.58	740	340	255	G1"(G1¼") - G1¼"	G1¼" - G1¼"	150,000 L	32
AELSP 100510	60	0.48	11	8	0.77	740	363	255	G1"(G1¼") - G1¼"	G1¼" - G1¼"	200,000 L	34
AELSP 150510	90	0.71	24	14	1.21	740	377	325	G1¼"(G2") - G1½"	G1¼" - G1¼"	300,000 L	41
AELSP 200510	120	0.95	22	15	1.54	740	403	325	G1¼"(G2") - G1½"	G1¼" - G1¼"	500,000 L	41
AELSP 300510	180	1.43	22	19	2.31	740	452	345	G1¼"(G2") - G2"	G1¼" - G1¼"	600,000 L	46



Supply voltage: **230V**
Frequency: **50Hz**
Design pressure: **PN10**

The Modules MLP, MLS are equipped with:
Control panel with On / Off thermostat system
Plate heat exchanger with gaskets and corrugated plates
Circulation pump (primary side)
Check valve (primary side)
PT1000 Thermostatic probe

PHE materials:
Frame P355NH (Connections in Polypropylene for MLS - salt water)
Bolts A193 B7
Gaskets EPDM
Plates AISI 316L (Titanium for MLS with salt water)

NP * = number of plates of the PHE with standard temperatures

Easy to use technical features:

1. Timed management of secondary POOL water heat up with internal separate clocks and weekly programmes.
2. Setting and adjustment of the secondary POOL water outlet temperature from the Control Panel internal menu.
3. Visual message on the panel display for probe failure and a volt free contact to link to an external acoustic alarm.



NOTE: When the Swimming Pool has reached the required set point temperature the control panel will sense that the return pool water is approaching the set point pool temperature so will stop generating hot water to the pool.